

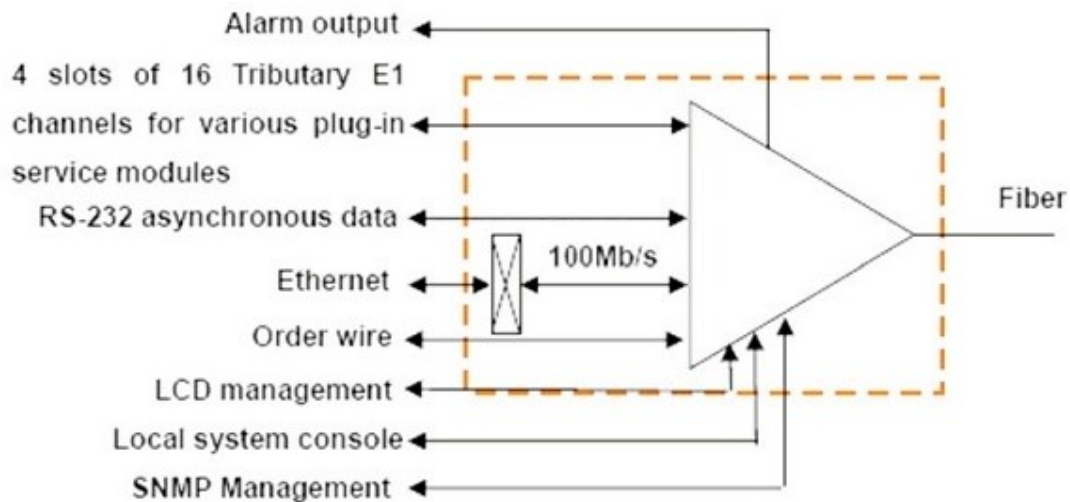
FES-LAN3000



Multiservice E1/Ethernet/V.35/POTS Optical Fiber Multiplexer

Description:

The FES-LAN3000 is **multiservice fiber optical multiplexer with SNMP & LCD & Console management**. It is created with 16E1+4*100M full speed Ethernet capacity of transmission interfaces. The fiber multiplexer can provide various interface modules for voice, data and video services in cities and industrial districts. Its optional interfaces support multiservice transmission of large customers and customer groups such as MSEs, governmental organizations, schools and intelligent residential areas.



Features:

- ◆ largest transmission capacity is 16E1, 4*10/100M Ethernet data and 2 AUX port for other data such as RS232/RS485/RS422.
- ◆ **Flexible Configuration:** Providing 4 plug-in I/O slots which can insert various modules to meet different user requirements and customizations, each slot can use the following service cards:

Forever Engineering Systems Pvt. Ltd

B-817, 8th Floor, Advant Navis Business Park, Sector-142, Noida -201301, Uttar Pradesh, India
 Mob: 9643979291, Phone: 0120-4277142, website: www.foreversystems.in

- v 4-channel E1 module, providing 75ohm or 120ohm(optional).
- v 2-channel V.35 module, providing 4 standard V.35;
- v 4-channel FXS/FXO voice module;
- v 4-channel RS232 module;
- ◆ 1+1 Optical Redundancy Backup: Provide two plug-in I/O slots for dual optical interface cards. Protection of dual optical interface available to ensure that business will not be interrupted.
- ◆ Providing 2*SFP slots for optical port, it is easy for customer choose different SFP modules according to different application;
- ◆ Providing SNMP management, LCD management, console management (CLI);
- ◆ 1 order wire port for hotline telephone.
- ◆ Support APS function (auto protect system) and ALS (Automatic Laser Shutdown/Reduction)
- ◆ The 4*Ethernet support VLAN function, Ethernet bandwidth can be set;
- ◆ Support double power for redundance, the power can be combination AC220V and DC-48V;

Specification:

E1 Interface

- Ø Line Rate: 2.048Mbps±50ppm
- Ø Line Code : HDB3
- Ø Interface Standard: ITU-T G.703
- Ø E1 Impedance: 75Ω(unbalance)
- Ø Connections : dual coax BNC
- Jitter tolerance : finer than G.742 and

10/100Base-T Ethernet Interface:

- Ø Rate: 10/100M, full/duplex auto-negotiation
- Ø Protocol: Support VLAN
- Ø MAC Address Entries: 1k Entries
- Ø Physical interface: RJ45, support AUTO-MDIX
- Rate: 1-100 Mbps

V.35 Interface:

- Ø Electric Level: In compliance with CCITT V.35 standard
- Ø Physical Interface: DB25
- Ø Interface Bit Rate: 2.048Mbit/s
- Ø Support DCE(master clock),DCE(line clock), DTE(V.35 interface clock).

FXO/FXS Interface:

- Ø Electric Level: In compliance with CCITT V.35 standard
- Ø Physical Interface: DB9
- Ø Interface Bit Rate: 2.048Mbit/s

Rs232 Interface:

- Ø Transmission Mode: Full-Duplex
- Ø Transmission Speed: 110~115.2K bps

Optical Interface:

- Ø Speed of optical interface: 155Mbps
- Ø Type of Optical Connectors: FC/SC
- Ø Focus Wavelength: 1310/1550 nm
- Ø Optional Transmitting Distance: 0~120 Km(can be customized by customer)

Power supply:

- Ø working voltage range wide, good
- Ø anti-disturb and Isolation, work stable
- Ø option I – DC-48V,
range DC-36V~DC-72C
- Ø option II – AC220V,
range AC165V~AC240V
- Ø Power Consumption: <=10 Watts

Environment condition:

- Ø Operating temperature: 0C~+50 C
- Ø Storage temperature: -20 C~+70 C
- Ø Relative temperature:95% (uncondensed)

Dimension:

433mm(L)
220mm(W)
43.5mm(H)
19" Rack Mount

Application:

